

AREC

# CI-T10

Auto-Tracking  
PTZ Conferencing Camera



CI-T10

## Perfect Combination of Compact PTZ Camera and Auto-Tracking Technology

AREC CI-T10 Auto-Tracking PTZ Camera is a high quality PTZ camera that also can track a moving presenter automatically while shooting video. Combining a high-performance pan/tilt/zoom camera, compact design and AREC's excellent motion-sensitive tracking technology, AREC CI-T10 is ideal for mid-size to large conference room or lecture capture, and is easy to move and work between meeting rooms.





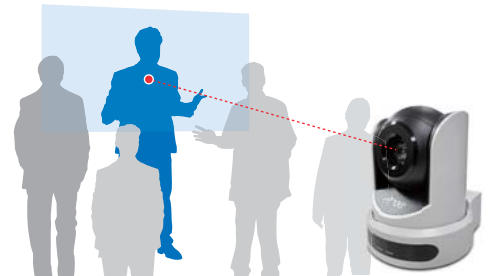
- Full HD video output up to 1080/30p via USB and IP transmission
- Easy integration with various video conferencing software
- Plug-and-play compatibility: USB connectivity to Windows, Linux, and Mac
- Automatic tracking without a camera operator, keeping the presenter in frame while shooting video
- Accurate and smooth tracking performance. Superior continued smooth movement even in situations where a presenter is writing on a whiteboard or close-up shots, just like a professional cameraman does
- Professional integration capabilities including RS-232 and VISCA protocol
- Designed in an efficient and cost-effective manner for the use of business or education



## Main Features

### Automatic Tracking and Hands-Free Control

AREC CI-T10, adopting AREC's motion-sensitive tracking technology, makes tracking automatically and precisely. There is no interference from any other moving people. AREC's tracking technology also provides flexibility, enabling users to move and use CI-T10 between meeting rooms freely without complicated setting.



### Accurate and Smooth Tracking Performance

In order to capture presenter's best performance, AREC CI-T10 provides superior continued smooth movement even in situations where a presenter is writing on a whiteboard or close-up shots, just like a professional cameraman does.



### Professional Video Quality for Conferencing Rooms

AREC CI-T10 Auto-Tracking PTZ Camera, with 340 degree rotation, a 120 degree tilt range and 10x zoom, makes pro-quality Full HD 1080p video with autofocus for conferencing rooms and live streaming at an affordable price.



## Services and Applications

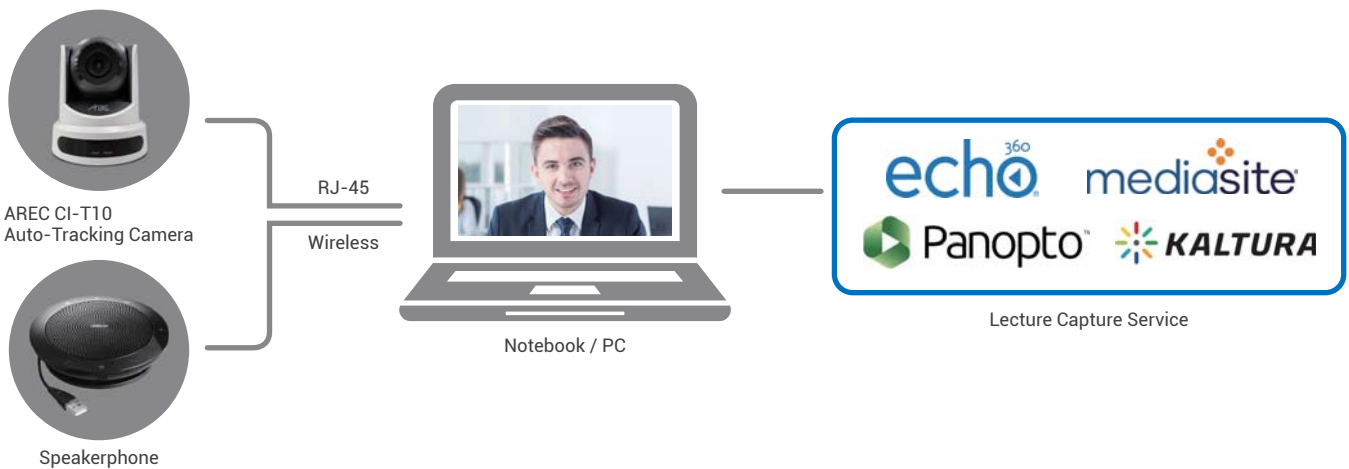
### Compatible with Popular Web Conferencing Applications

AREC CI-T10 works seamlessly with all major video conferencing software with a plug-and-play USB connection. Coming with a USB Speakerphone, it's easy to get your collaborative meeting with crystal-clear voice ensures everyone is heard.



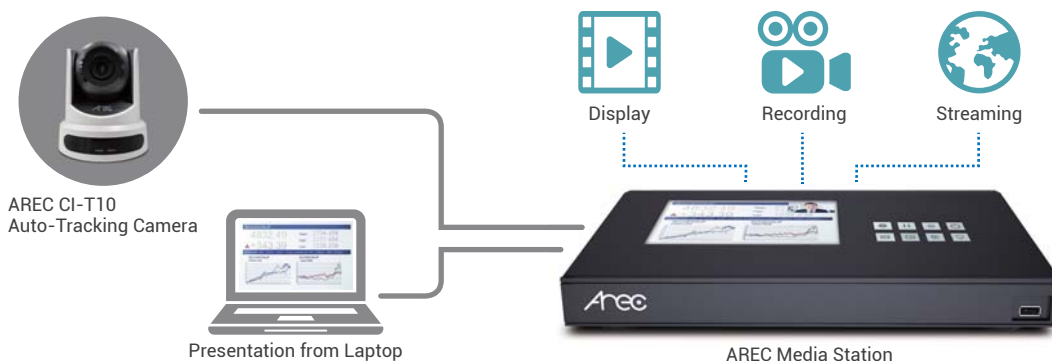
### Compatible with Lecture Capture Service

Via USB and IP transmission, AREC CI-T10 is compatible with various lecture capture platforms, providing high-quality video for lecture recordings.



### Ideal Solution for Lecture Capture and Training Video

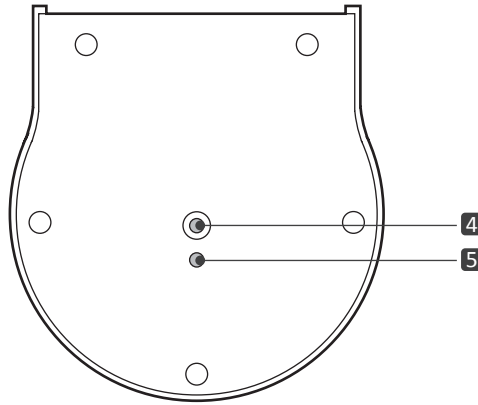
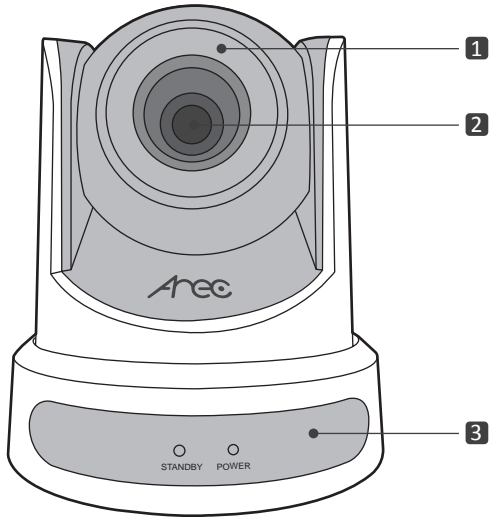
During an event, presenter, lecturer or speaker needs to be free to move around in every direction. Working with AREC Media Station, CI-T10 can always keep the presenter in close-up, and it becomes easy to make a great lecture capture or training video without help from a second person.





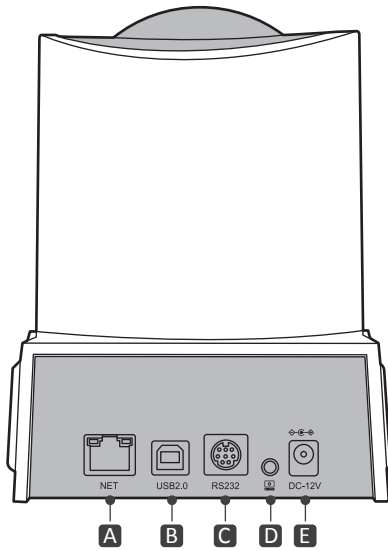
# Product Appearance & Connectors

## CI-T10 Front view



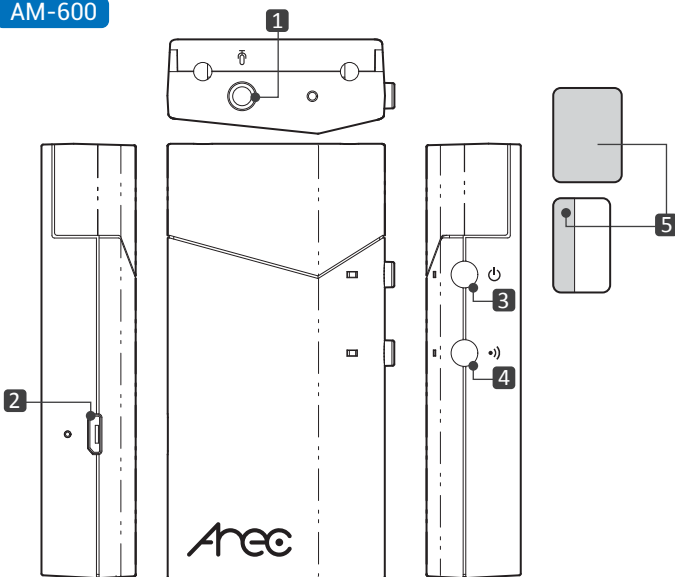
- 1 Auto-Tracking Receiver
- 2 Camera lens
- 3 Remote Controller Receiver (Standby / Power Indicator)
- 4 Standard 1/4"20 UNC screw
- 5 Mounting hole

## CI-T10 Back view



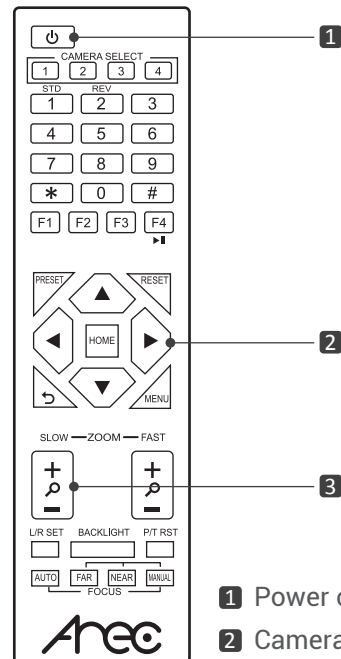
- A Ethernet RJ-45
  - B USB2.0 output
  - C RS-232 port
  - D Tracking Module setting port
  - E DC12V Input Power Supply Socket
- \*This is not an audio input. Misconnection may cause damage to the device.

## AM-600



- 1 Ø3.5 audio input jack (workable with AREC Media Station)
- 2 Power port (Micro USB port)
- 3 Power / tracking on-off
- 4 Microphone pairing / mute (workable with AREC Media Station)
- 5 Back positioner

## Remote Controller



- 1 Power on-off
- 2 Camera direction control
- 3 Zoom in/ Zoom out

## Specifications

Model Name	CI-T10 HD Camera
Image Sensor	1/2.9" progressive CMOS
Minimum Illumination	0.5 lux @ F1.8
Video Compression	USB 2.0 UVC 1.0 - MJPEG : MAX. 1080@30fps - YUV : MAX. 1080@5fps IP Stream H.264, H.265, MJPEG Note: USB video output and IP stream (as Media Station's source) cannot be used at the same time.
White Balance	Auto / Manual / One Push / Indoor / Outdoor / VAR
Image Setting	BLC / 2D & 3D noise reduction
Max. Resolution	1920x1080 @ 30fps (IP Streaming / USB 2.0)
Video Output Port	USB 2.0 / Ethernet
Optical Lens	10x optical zoom
Focal Length	4.7 – 46.3mm
Iris	F1.8--F2.8
Horizontal Angle of View	55.5° ~ 6.5°
Vertical Angle of View	35.1° ~ 3.6°
Control Protocol	RS-232: VISCA / Pelco-D / Pelco-P Network: VISCA over IP, Sony VISCA, ONVIF
Network Protocol	TCP/IP, HTTP, RTSP, RTMP(S), ONVIF, DHCP, Multicast
Pan/Tilt Rotation	-170°~+170°, -30°~+90°
Auto-Tracking Range	3~10m
Auto-Tracking Technology	AREC's motion-sensitive tracking and continued smooth movement technology
Network Interface	1 x RJ45: 10M/100M Adaptive Ethernet Port
Dimension (L x W x H)	141.5 x 151 x 168 mm
Weight	About 1.3Kg

Positioner	AM-600
Control Buttons	Power / Tracking on-off / Microphone pairing / Mute
Effective Distance	10m radius (max.)
Power Supply	Built-in rechargeable lithium battery
Power Input	USB Micro-B port
Power Consumption	4 hours, after fully charged
Dimension (L x W x H)	82 x 40 x 18 mm
Weight	70g



AREC Inc. | sales@arec.com  
 Headquarters: Taipei, Taiwan Address: 3F, No. 367, Sec.2, Wenhua RD.,  
 Banqiao Dist., New Taipei City 220, Taiwan (R.O.C)  
 TEL: +886-2-8259-5060

Exclusive Representative in Europe, Africa, Latin America and CIS Countries  
 ADENA Limited | www.a-dena.com  
 E-MAIL: info@a-dena.com  
 TEL: +886-2-8712-1882