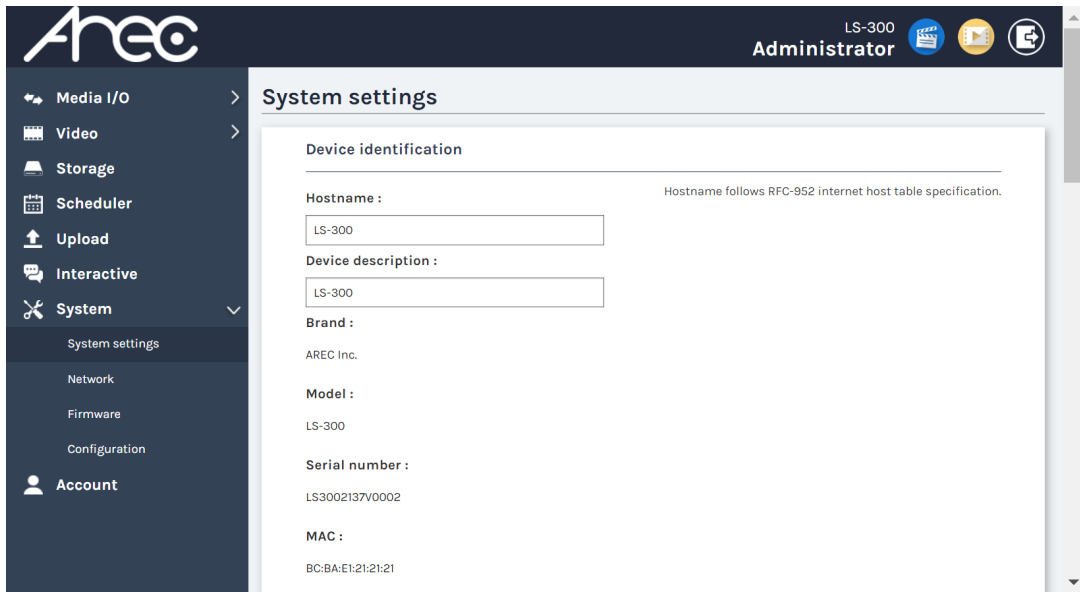


Release Note LS-200 VA1 v2.11.26.68

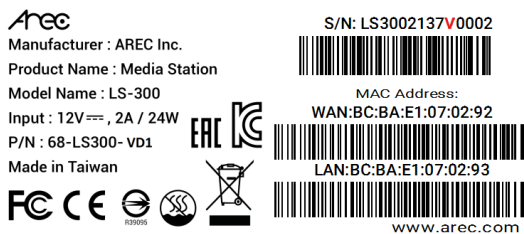
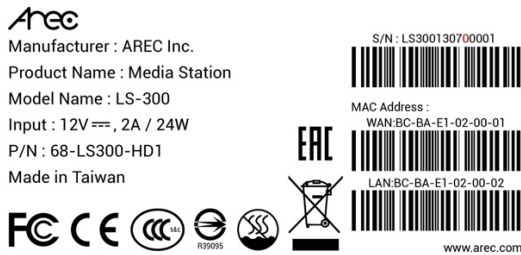
(This version is only compatible with the new HW version – VA1)

Device Hardware Version

1. Please find your device serial number (S/N), it can be found either on the label or on the web Administration page.

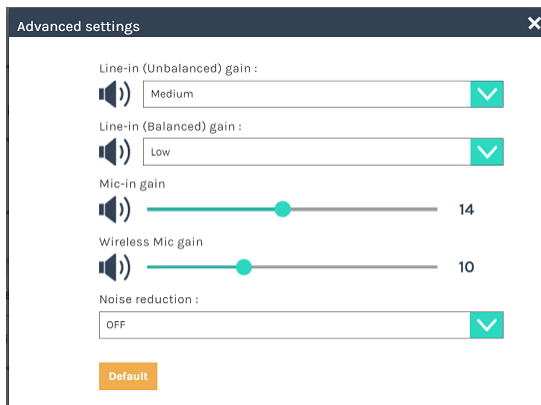


2. Check the 10th digit of the S/N. If it is “V”, then the device has the new hardware. If it is “0”, it has the original hardware and is not compatible with the firmware series described in this release note.

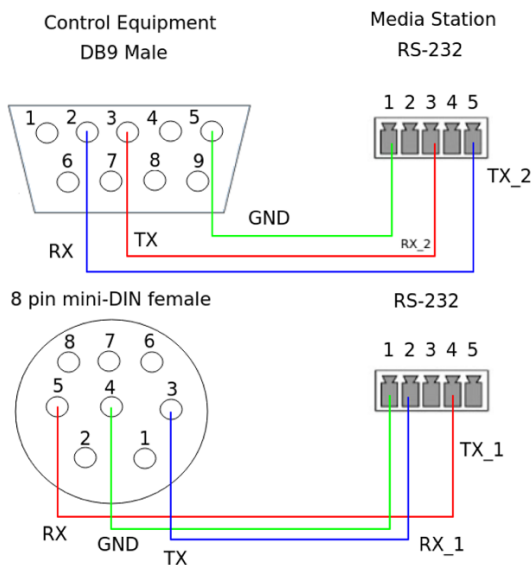


New Features and Modification of VA1

1. Differential audio input with phoenix type connector is “only” available on **LS-300**, **LS-400** and **KL-3T**.
2. Audio Noise Reduction (Line-in/Mic-in)
It can reduce the background noise that is present in recordings.
3. Audio Gain Control (Line-in/Mic-in)
Both balanced (Phoenix) and unbalanced (3.5mm) audio inputs have “Gain Control”.
 - Line-in (Unbalanced/Balanced): 3-step gain – Low, Medium, High
 - Mic-in/BT-Mic: 30-step gain



4. Equipped with one RE-232 camera control port
The same RS-232 port can now send commands for camera control while receiving commands from control systems.
* It can only control one camera, for additional cameras, USB-RS-232 cables will still be needed.



New Features

N/A

Issues Fixed & Modification

V2.11.26.68

- Fix “An error message appeared after disabling and enabling OSD menu.”
 - Fix “The ‘Cancel’ button disappeared when selecting a file with a long filename while importing an ICS calendar file.”
 - Fix “When OSD menu was disabled, it still appeared after rebooting.”
 - Supports Japanese.
 - Fix “When using Internet Explorer, the cameraman preview of video capture didn’t show.”
 - Fix “The uploading sequences were different between manually selecting files and using the re-upload function.”
 - Fix “When the mainboard was not equipped with a Bluetooth module, the web interface popped up with an error message when entering the audio advance page.”
 - Fix “When recording to the front USB drive, the Station didn’t automatically stop recording when the front storage ran out of space.”
 - Fix “The system deleted all the video files in the built-in storage if the recording mode was set to OFF.”
 - Fix “When scheduling recording is enabled, the Station encounters a failure in live streaming for a Kaltura live event. * This issue started occurring after the recent Kaltura update in May 2023.”
 - Add an on/off switch for the GUI menu bar.
 - Add a switch to hide/show the playback (export) button on the GUI menu.
 - Add a switch to enable/disable web session inactivity timeout.
 - Modify the behavior so that newly added themes are inserted at the end of the list.
 - Enhance the Opencast upload function by adding advanced configuration options for flavor, workflow and series.
 - Modify the functionality so that users logging in with a director account can now view the scheduled calendar list in the admin setting page.
 - Add RS232 command: get video theme ID.
 - Modify the HDMI capture mechanism to prevent a potential system crash when connected with specific sources.
 - Fix “Upload settings has an unnecessary section – ‘Domain name.’”
-
- **Notice: During the firmware update progress, please always keep the power on to prevent permanent system unstable or damage.**