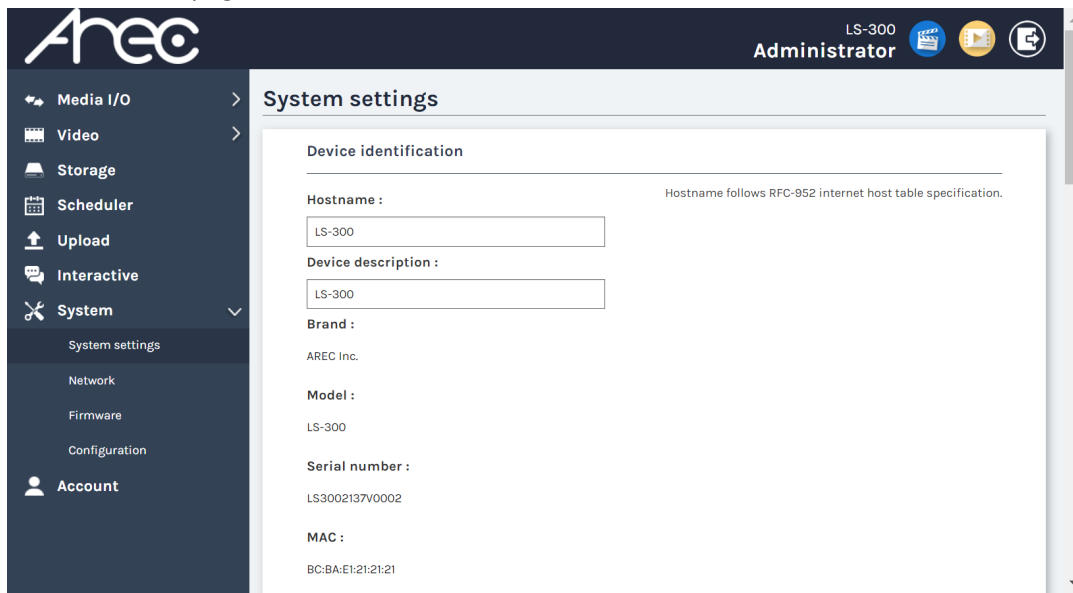


Release Note LS-300 VA1 v2.11.20.79

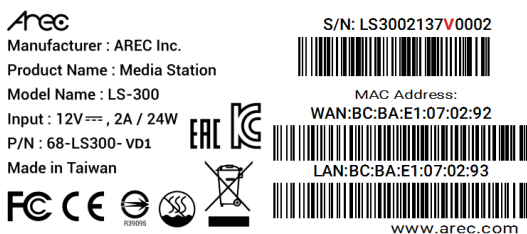
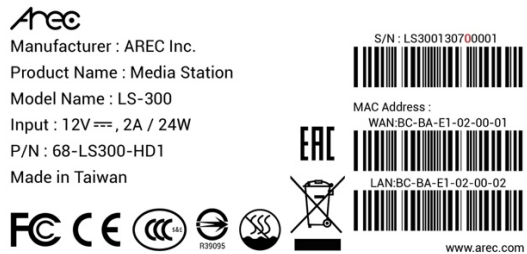
(This version is only compatible with the new HW version – VA1)

Device Hardware Version

1. Please find your device serial number (S/N), it can be found either on the label or on the web Administration page.

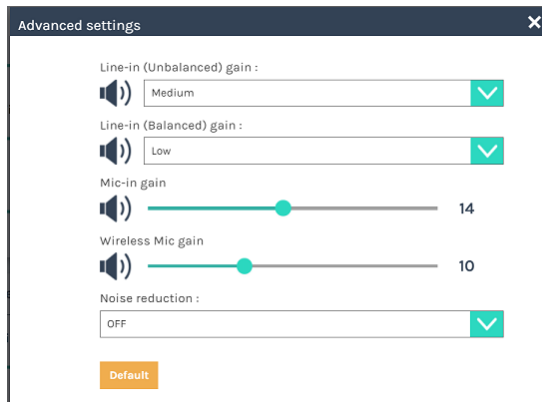


2. Check the 10th digit of the S/N. If it is “V”, then the device has the new hardware. If it is “0”, it has the original hardware and is not compatible with the firmware series described in this release note.

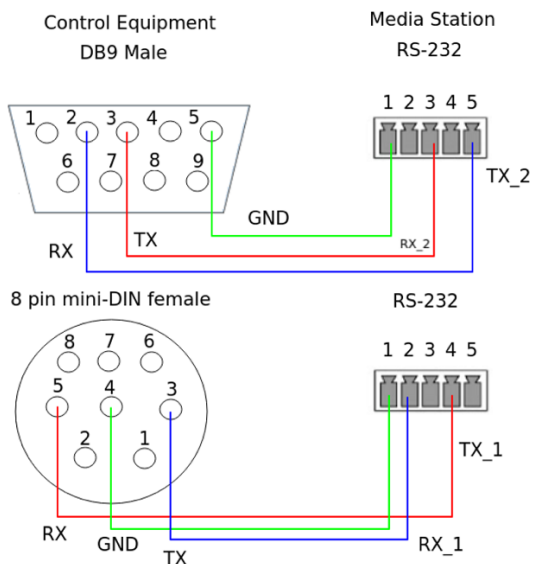


New Features and Modification of VA1

1. Differential audio input with phoenix type connector is “only” available on **LS-300**, **LS-400** and **KL-3T**.
2. Audio Noise Reduction (Line-in/Mic-in)
It can reduce the background noise that is present in recordings.
3. Audio Gain Control (Line-in/Mic-in)
Both balanced (Phoenix) and unbalanced (3.5mm) audio inputs have “Gain Control”.
 - Line-in (Unbalanced/Balanced): 3-step gain – Low, Medium, High
 - Mic-in/BT-Mic: 30-step gain



4. Equipped with one RE-232 camera control port
The same RS-232 port can now send commands for camera control while receiving commands from control systems.
* It can only control one camera, for additional cameras, USB-RS-232 cables will still be needed.



New Features

N/A

Issues Fixed & Modification

V2.11.20.79

- Fixed “HTTPS SSL: CERTIFICATE_VERIFY_FAILED” error when using HTTPS with the Kaltura server.
 - Fixed “HTTPS SSL: CERTIFICATE_VERIFY_FAILED” error when uploading to Kaltura via HTTPS.
 - Fixed “RTMP server test failed if any parameter was included at the end of the URL”.
 - Fixed “Stations couldn’t retrieve Kaltura events assigned to multiple recorders”.
 - Added support for USB audio devices with different bit depths and sample rates (e.g., 24-bit depth).
 - Fixed “Noise occurred when connecting a ‘Dante AVIO 2ch USB I/O Adapter’”.
 - Added support for Kaltura schedule iCal format with UID.
 - Fixed “Changes to a child event from a recurring event on Kaltura were not applied to the schedule recording function”.
 - Fixed “The deletion of a recurring event on Kaltura was not applied to the schedule recording function”.
 - Added an HTTP API for selecting videos to export to a front USB drive.
-
- **Notice: During the firmware update progress, please always keep the power on to prevent permanent system unstable or damage.**