

RADA
by ADENA



**TRANSFORM
ANY FLAT
SURFACE INTO A
TOUCHSCREEN**

**PRECISE
TOUCH**

KEY FEATURES:

**Porta
bility**

Easy to Attach to
a Screen or Board

**Plug &
Play**

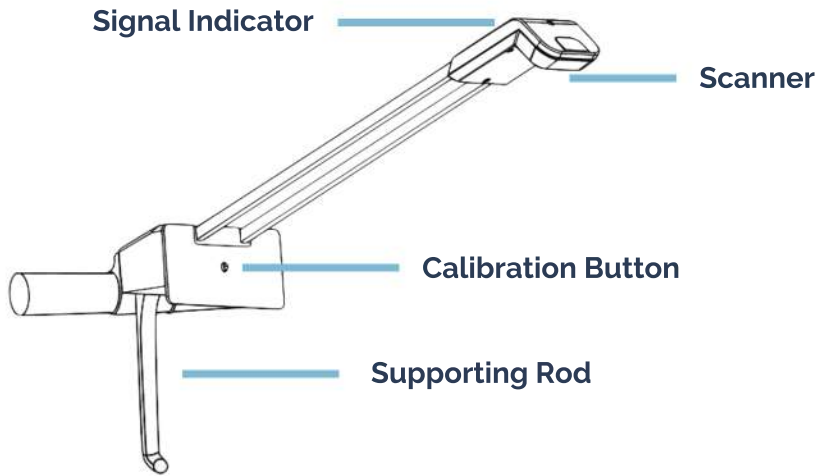
No Driver
Installation Needed

**Compa
tibility**

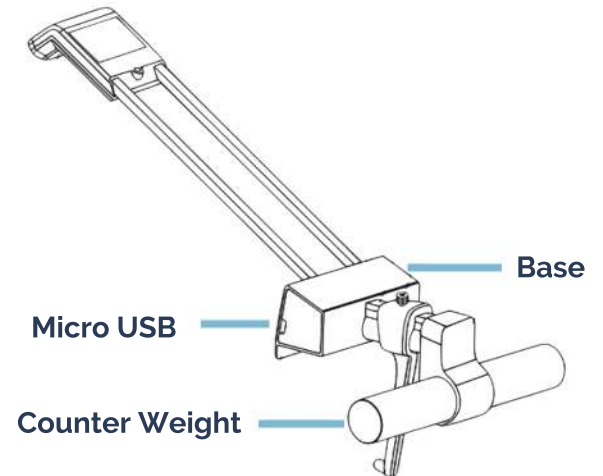
Windows, Mac OS
and Linux

PRODUCT ARCHITECTURE

FRONT VIEW



BACK VIEW



CONNECTION DIAGRAM



TECHNICAL SPECIFICATIONS

PRECISETOUCH

Model	A-PT01
Display	20-80 inches
Signal	940 nmIR
Communication Interface	Micro USB
Calibration Method	4 point calibration
Max simultaneous inputs	4 inputs
Resolution	3000x1500 at the center
Delay	25ms
Power Consumption	<0.6W
Arm Length	36 cm
Weight	420g

PRECISEPEN

Model	A-PT01
Signal	940nm IR
Nib Trigger Mode	Omni-directional
Charging Method	Mini USB
Power Supply	Supercapacitor
Charging Time	3min
Full Power Run Time	2hours
Charge Retention Time	72hours
Length	13.5cm
Diameter	18mm
Weight	25g