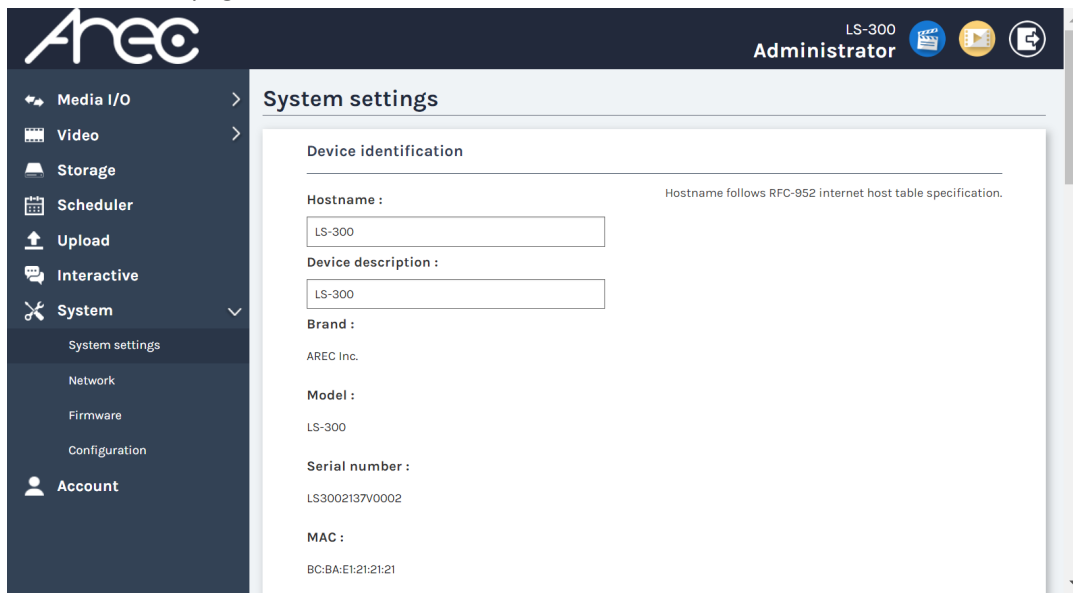


Release Note LS-300 VA1 v2.11.20.76

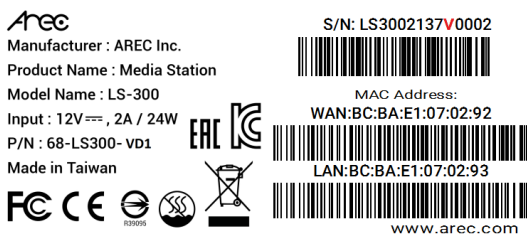
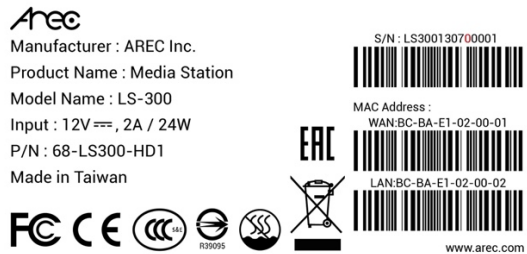
(This version is only compatible with the new HW version – VA1)

Device Hardware Version

1. Please find your device serial number (S/N), it can be found either on the label or on the web Administration page.

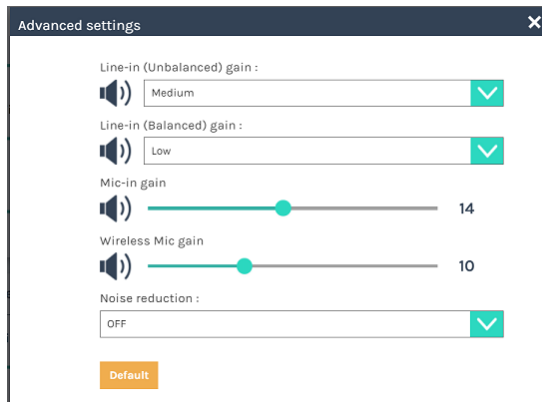


2. Check the 10th digit of the S/N. If it is “V”, then the device has the new hardware. If it is “0”, it has the original hardware and is not compatible with the firmware series described in this release note.

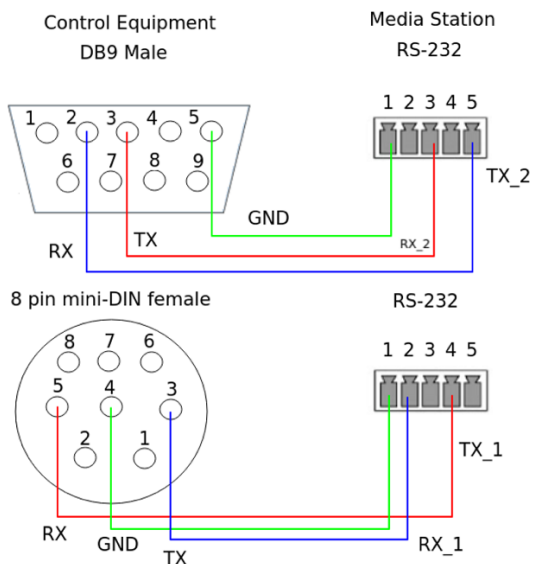


New Features and Modification of VA1

1. Differential audio input with phoenix type connector is “only” available on **LS-300**, **LS-400** and **KL-3T**.
2. Audio Noise Reduction (Line-in/Mic-in)
It can reduce the background noise that is present in recordings.
3. Audio Gain Control (Line-in/Mic-in)
Both balanced (Phoenix) and unbalanced (3.5mm) audio inputs have “Gain Control”.
 - Line-in (Unbalanced/Balanced): 3-step gain – Low, Medium, High
 - Mic-in/BT-Mic: 30-step gain



4. Equipped with one RE-232 camera control port
The same RS-232 port can now send commands for camera control while receiving commands from control systems.
* It can only control one camera, for additional cameras, USB-RS-232 cables will still be needed.



New Features

N/A

Issues Fixed & Modification

V2.11.20.76

- Support USB audio devices with 24-bit depth.
- Added retry mechanism for uploading to Panopto to prevent upload failure when the server is unstable.
- Modified the workflow with Panopto webcast events to convert a live event into an on-demand video right after the event ends.
- Fixed “The system failed to retry uploading videos to Panopto/Opencast after a network disconnection of about 1 minute.”
- Added TCP/RS-232 commands for interactive GUI playback control.
- Added support for director control over DS-AC1.
- Fixed “The Station failed to initialize some UAC devices because they took more time to boot up (e.g., Aver Fone540).”
- Added a NAS connection retry mechanism after system bootup to enhance stability across different network environments.
- Fixed “The storage settings page could not be accessed or modified if the Station was unable to connect to the NAS.”
- Fixed “[Random] The Station moved the wrong camera when an user controlled PTZ on the GUI.”
- Hard fix for “When scheduling recordings using Kaltura, Stations did not start and stop resording according to the event times.”

* This issue was found in earlier April 2024 (around 9th April, 2024) and was fixed in Kaltura SaaS version Tucana-20.11.0, tested on 20th May, 2024.

- **Notice: During the firmware update progress, please always keep the power on to prevent permanent system unstable or damage.**