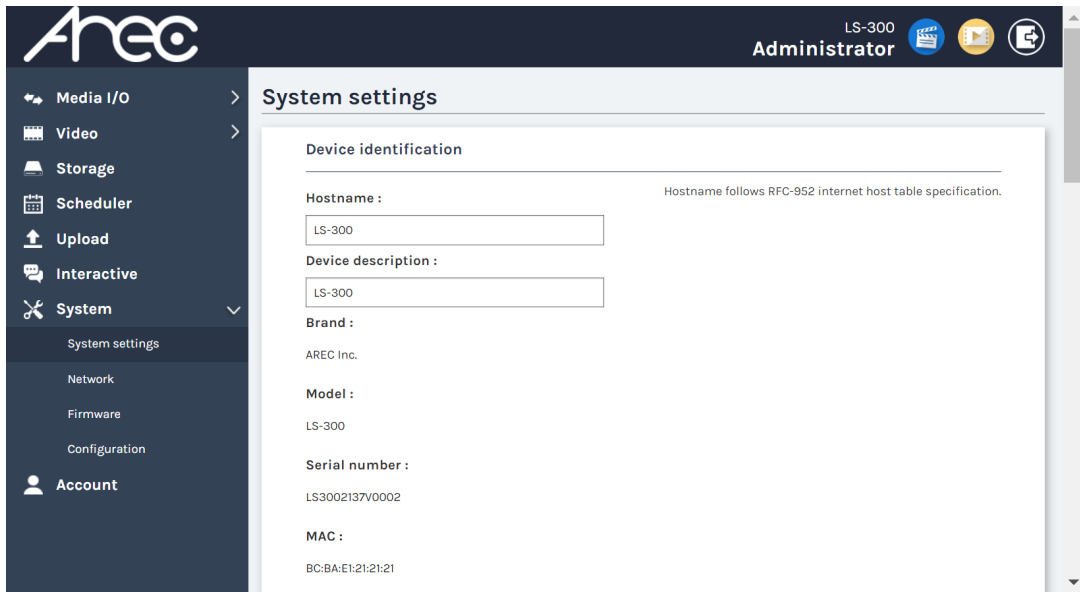


Release Note KL-3T **VA1** v2.11.27.68

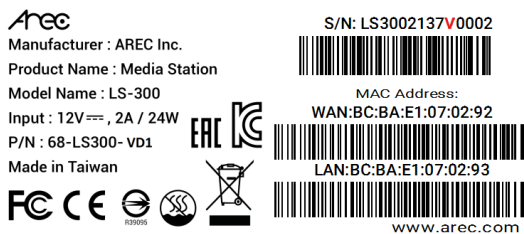
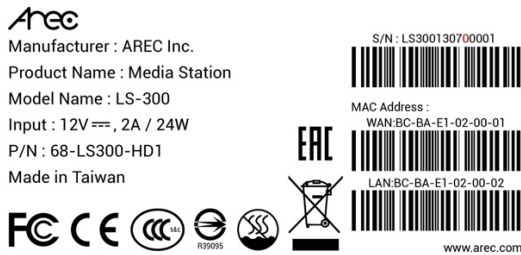
(This version is only compatible with the new HW version – VA1)

Device Hardware Version

1. Please find your device serial number (S/N), it can be found either on the label or on the web Administration page.

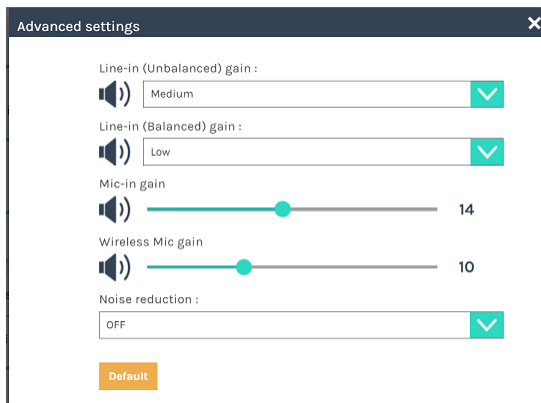


2. Check the 10<sup>th</sup> digit of the S/N. If it is “V”, then the device has the new hardware. If it is “0”, it has the original hardware and is not compatible with the firmware series described in this release note.

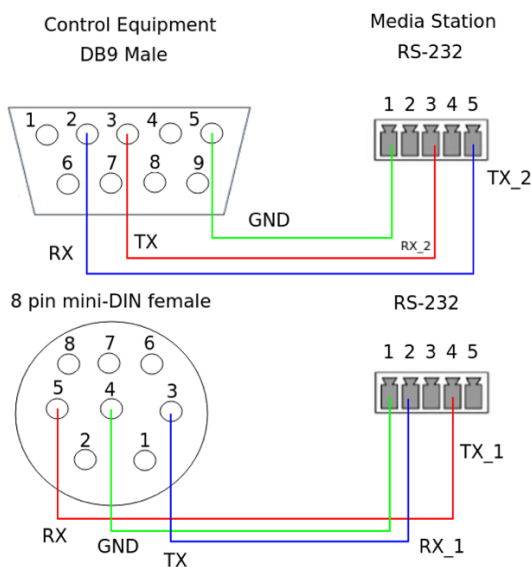


## New Features and Modification of VA1

1. Differential audio input with phoenix type connector is “only” available on **LS-300**, **LS-400** and **KL-3T**.
2. Audio Noise Reduction (Line-in/Mic-in)  
It can reduce the background noise that is present in recordings.
3. Audio Gain Control (Line-in/Mic-in)  
Both balanced (Phoenix) and unbalanced (3.5mm) audio inputs have “Gain Control”.
  - Line-in (Unbalanced/Balanced): 3-step gain – Low, Medium, High
  - Mic-in/BT-Mic: 30-step gain



4. Equipped with one RE-232 camera control port  
The same RS-232 port can now send commands for camera control while receiving commands from control systems.  
\* It can only control one camera, for additional cameras, USB-RS-232 cables will still be needed.



## New Features

N/A

## Issues Fixed & Modification

V2.11.27.68

- Fix “An error message appeared after disabling and enabling OSD menu.”
  - Fix “The ‘Cancel’ button disappeared when selecting a file with a long filename while importing an ICS calendar file.”
  - Fix “When OSD menu was disabled, it still appeared after rebooting.”
  - Supports Japanese.
- 
- **Notice: During the firmware update progress, please always keep the power on to prevent permanent system unstable or damage.**