

AREC KS-CC1

Live Speech-to-Text Media Station

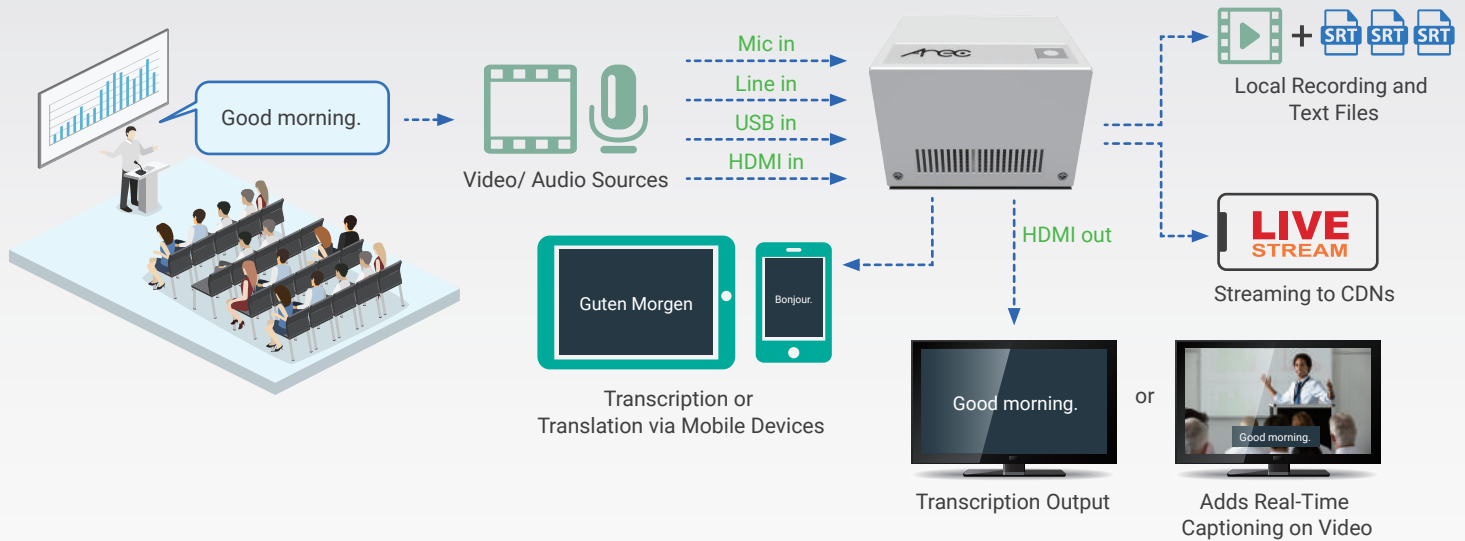


- Automatically Generate Real-Time Transcription and Translation in Meetings
- Able to Export 1 Recording Video, 1 Transcription and 2 Translation Text Files
- Supports Local Recording and Live Streaming
- Compact and Affordable Solution for Meetings and Seminars

Main Features

Show Real-Time Transcription and Translation in Meetings

With KS-CC1, it becomes easier to get real-time transcription and translation during a live event, which is ideal for university lectures, conference presentations, seminars, places of worship and more.



AI-based Speech-to-Text, Available 24/7

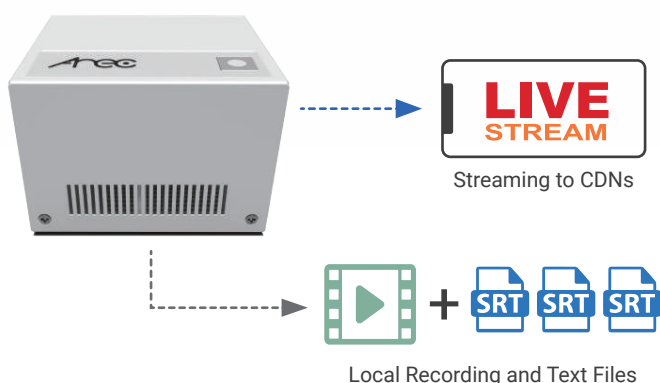
Thanks to Google speech-to-text technology. Fit for live event, KS-CC1 can project the instant speech transcription to the local display via HDMI output. It also supports up to 2 different translations, pre-configured by the administrator, showing on the web pages for participants to view via their mobile devices. AREC KS-CC1 is always ready to serve at your live event 24/7, which can replace human resources and save your big budget.*

*Licence-based feature. Device includes a licence for 10 hours of transcription/translation service, additional hours need to be purchased.



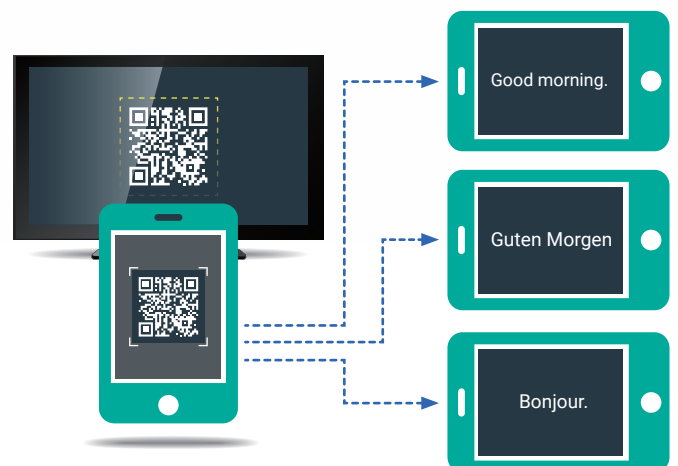
Supports Live Transcription, Recording and Streaming

Except the transcription and translation, KS-CC1 also supports 1-channel local recording and live streaming to remote CDNs at the same time. After event finished, the video file (without transcription) could be exported together with the speech script and up to 2 translation files (.srt format) to user's USB storages or computers for further editing and sharing.



Text Broadcasting to All Participants' Mobile Devices

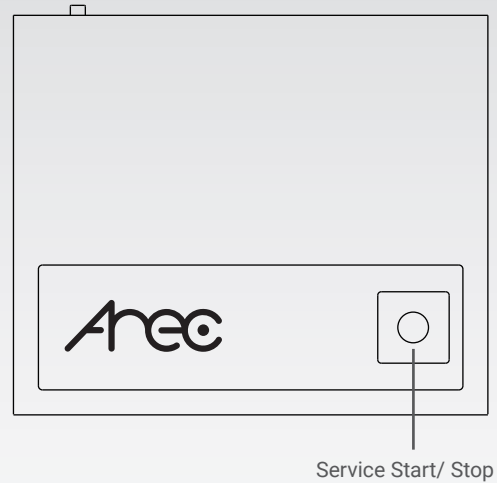
Just scanning the QR code showed on the local display, the audience could access to KS-CC1's web page and see the instant speech script or translation on their own mobile devices. It makes the meeting more engaging and accessible for everyone.



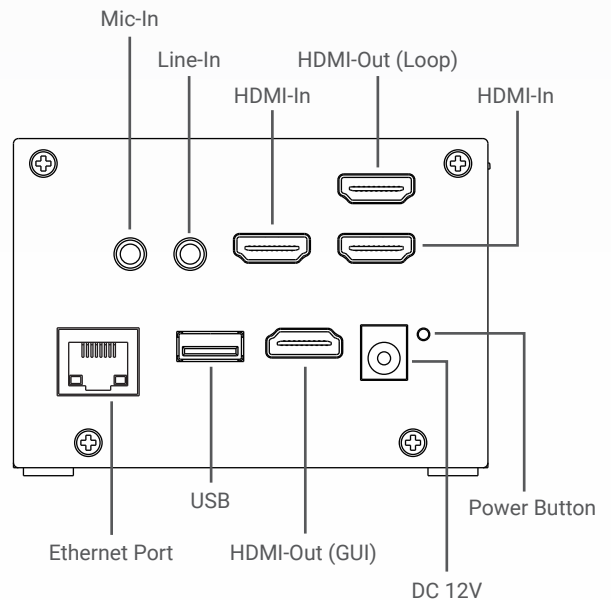
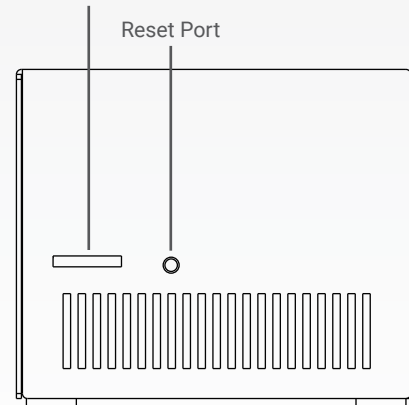
Specifications

Model Name	AREC KS-CC1 Media Station
Input Connection	
Video-in Interface	HDMI*2 (Up to 2160p30) USB (UVC)*1 (Up to 1080p60) IP Streaming*1 (RTSP, RTP, RTMP, Multiple codec resolutions available, Max.: 1080p30)
Audio-in Interface	Unbalanced 2 input jacks: Mic in*1 (3.5mm)/ Line in*1 (3.5mm) Digital: USB (UAC)*1/ HDMI*1
Video / Audio Outputs	
Video Outputs	1x HDMI 2x H.264/AVC digital video over Ethernet
Audio Outputs	1x HDMI - 8CH LPCM, Bitstream, HD Bitstream 1x HDMI loop-through
Max. Output Resolution	1080p60
Network and USB Connectors	
Network	1 x 1GbEc (RJ-45) For video stream input & output External control & settings
Universal Serial Bus	USB3.0 (Type-A) Support USB hub for UVC input, storage, and mouse control
Streaming & Recording	
Compression	Video: H.264/ AVC; Audio: AAC-LC
Bit Rate	Video: 300Kbps~8Mbps Audio: 80Kbps~320Kbps
Resolution	Max. 1080p30 (640x360 ~ 1920x1080)
Streaming Output Protocols	RTP, RTMP (RTMPS), RTSP Stream up to 2 platforms simultaneously
Transcription Text	Live transcription will be automatically added on streaming content. The local recorded video file won't contain transcription text. The .SRT text files will be generated separately.
Storage, Backup and Compatibility	
External Storage	USB Storage/ Micro SD card/ NAS
Locally Stored File Format	MP4 (without transcription) SRT (up to 3 languages)
Backup	FTP/ SFTP
Control Interface	
Web Interface	Administrator/ Video Manager/ Live transcription or translation for mobile devices
Graphic User Interface	Information & Service Strat/ Stop
Front Panel	Service Start/ Stop Button
General Information	
Power Supply	12V/3A
Temperature / Humidity	0~40°C / 90%
Dimensions (W×H×D)	95 × 80 × 68mm
Weight	456g
Accessories	Power adapter / quick guide

Product Interface



Micro SD Card Slot



AREC Inc. | www.arec.com | sales@arec.com
 Headquarters: Taipei, Taiwan Address: 3F, No. 367, Sec.2, Wenhua RD.,
 Banqiao Dist., New Taipei City 220, Taiwan (R.O.C)
 TEL: +886-2-8259-5060

Exclusive Representative in Europe, Africa, Latin America and CIS Countries
 ADENA Limited | www.a-dena.com
 E-MAIL: info@a-dena.com
 TEL: +886-2-8712-1882

AREC reserves the right to modify product specifications without prior notice.